



**imes-icore**<sup>®</sup>  
Competence in CNC & DENTAL-Solutions

uw importeur | distributeur

**ubevo**  
DENTAL B.V.



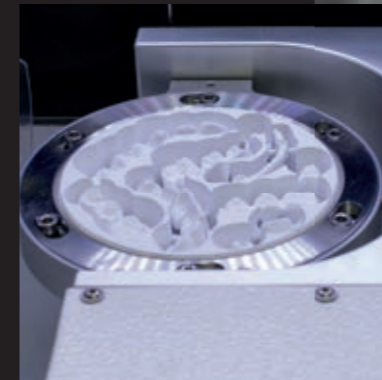
**CORiTEC 250i series**

# CORiTEC 250i/250i dry

## THE PROVEN 5-AXIS SYSTEM

The CORiTEC 250i and CORiTEC 250i dry machine systems are the most widely used CAD/CAM systems for applications of zirconium dioxide, PMMA or wax. Thanks to the 5-axis technology, these machines can also produce complex dentures with diverging stumps and undercut areas without further rework. Therefore, these systems are an ideal choice if a good price-performance ratio but also a very high equipment flexibility is of importance.

The processing of CAD/CAM blocks or premilled abutments is also possible by using the respective adapter systems. By purchasing the CORiTEC 250i you obtain a cost-efficient but flexible and versatile milling machine at once.



- WET optional
- DRY
- 5 AX
- 3 mm 12x
- Temperature control icon
- Touchscreen icon
- Machine profile icon
- ION

INTEGRATED COOLING  
CYCLE FOR COOLING  
LUBRICANT AND FILTER  
SYSTEMS

TOOL LIFETIME CONTROL/  
TOOL BREAKAGE CONTROL

WET AND DRY  
PROCESSING POSSIBLE



ERGONOMIC  
HANDLING  
simple graphical  
touchscreen operation

AUTOMATIC TOOL CHANGER  
Space for simultaneously  
use of 12 tools

# CORiTEC 250i/250i dry

## HIGHLIGHTS

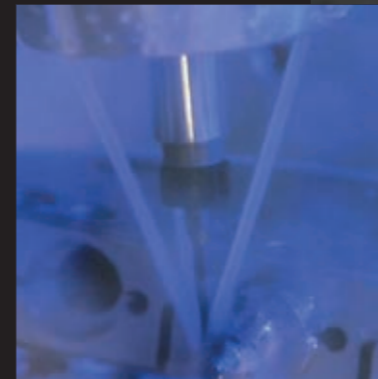
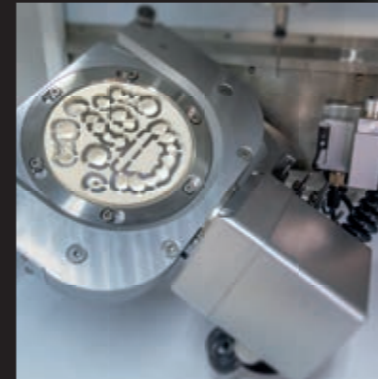
- 5-axis machining system with up to  $\pm 30^\circ$  axis orientation
- tool runtime control/breakage control
- integrated cooling circuit for cooling lubricant
- compressed air and coolant level monitoring
- processing of prefabricated abutments
- machining of zirconium, PMMA, wax, plastics, grindable board materials
- also available as **DRY** version
- high precision due to integrated temperature compensation

PMMA	WAX	Standard	PreMilled Abutment	Dentures	Crown, Bridge	Inlay, Onlay Veneer	Hybrid Abutment	Splint
Zr	COMPOSITE							
PEEK	SINT	C-Clamp	Block	zero-point clamping system	Full Denture	Model	Drilling template	Model casting
Glass ceramics	PreFab Abutments							
CoCr	Ti				Bridge	Telescopic technology	Abutment	Hybrid machining

# CORiTEC 250i Loader PRO

## AUTOMATION IN THE SMALLEST SPACE

The compact 5-axis milling machine opens up a completely new machine segment. The CORiTEC 250i Loader PRO offers automation and 5-axis simultaneous machining of circular blanks and blocks in the smallest space and at an attractive price-performance ratio. The milling system is equipped with a fully automatic 10-fold tool changer with 3 mm milling tools and an integrated touch-screen monitor, which facilitates an intuitive operation in conjunction with the new smart control™ software. The fully automatic 6-fold blank changer offers the possibility to process all common materials of the dental industry, an automated production is therefore feasible. The CORiTEC 250i Loader PRO is the perfect solution for technicians who want to create their daily work more independent!



- WET
- DRY
- 5 AX
- 3 mm  
10x
- Touch screen
- 6x
- ION  
optional

# CORiTEC 250i Loader PRO

## HIGHLIGHTS

- novel, closed mono-block cast body for stability and precision
- 6-fold blank changer
- wet and dry machining possible
- integrated PC and touch display
- no external compressed air required (optional)
- lonizer optionally available
- processing of prefabricated abutments
- high precision due to integrated temperature compensation



PMMA	WAX	Standard	PreMilled Abutment	Dentures	Crown, Bridge	Inlay, Onlay Veneer	Hybrid Abutment	Splint
Zr	COMPOSITE							
PEEK	SINT		Block	zero-point clamping system	Full Denture	Model	Drilling template	Model casting
Glass ceramics	PreFab Abutments							
CoCr	Ti				Bridge	Telescopic technology	Abutment	Hybrid machining

MAX PERFORMANCE  
**for your  
dental lab**



# Applications & holder

## MANUFACTURE OF DENTAL PROSTHESES

- Baltic Denture from Merz Dental
- Dentsply Sirona Dentures



## PREFABRICATED ABUTMENTS

- short production times
- production of abutments in very simple processes
- high accuracy of fit due to prefabricated implant interface

**DESS**  
Abutmentholder



**NT-Preform® Abutment**  
(nt-trading)



**PreFace® Abutment**  
(Medentika)



**DDSoldiConnect®**  
(Dental Direkt)



## THERAPEUTIC SPLINTS

- bite splints, bleaching splints
- snoring splints, aligners
- simple and high-quality implementation in CAD/CAM processes



## GRINDING OF CAD/CAM BLOCKS

- new 6-fold adapter enables effective production
- exchangeable strips for different adapter systems
- crowns, onlays, inlays, veneers, bridge frameworks, etc.



## BIOHPP ELEGANCE PREFABS

- individual hybrid abutment on PEEK basis
- BioHPP for permanent dentures, free of metal, oxide and monomer
- homogeneous combination of titanium and BioHPP



## MILLING OF MODEL CASTS

- production in combustible material (PEEK)
- allergy-free and lightweight model casting when using PEEK
- cost-efficient



## MILLED IMPLANT MODELS

- DIM (Digital Implant Model) from nt-trading
- precisely positionable
- 2-part implant analog



## MODEL MILLING BAUMANN SYSTEM

- model fabrication in CAD/CAM process
- high reproducibility and precision
- model fabrication with digital impression by intraoral scanner



**T1/T6 - 3.0 | 3.0 mm**  
radius milling tool (l = 15 mm)

T1	Ti
T6	CoCr

3.0 mm Ø 3 mm

up to 15 mm

Blades

Art.-No. 526018 3003

**T11/T13 - 2.5 | 3.0 mm**  
radius milling tool

T11	PMMA
T13	WAX
T13	Zr

2.5 mm Ø 3 mm

up to 25 mm

Blades

Art.-No. 526016 2503

**T2/T7 - 2.0 | 3.0 mm**  
radius milling tool (l = 12 mm)

T2	Ti
T7	CoCr

2.0 mm Ø 3 mm

up to 15 mm

Blades

Art.-No. 526018 2003

**T12 - 1.0 | 3.0 mm**  
radius milling tool (single blade, slide coated)

T12	PMMA
T12	WAX
T12	PEEK

1.0 mm Ø 3 mm

up to 25 mm

Blade

Art.-No. 526004 1003c

**T3/T8/T16 - 1.5 | 3.0 mm**  
radius milling tool (l = 12 mm), universal

T3	UNIVERSAL
T8	UNIVERSAL
T16	UNIVERSAL

1.5 mm Ø 3 mm

up to 15 mm

Blades

Art.-No. 526026 1503

**T12/T14 - 1.0 | 3.0 mm**  
radius milling tool

T12	PMMA
T14	WAX
T14	Zr

1.0 mm Ø 3 mm

up to 25 mm

Blades

Art.-No. 526016 1003

**T4/T9 - 1.0 | 3.0 mm**  
radius milling tool (l = 9 mm)

T4	Ti
T9	CoCr

1.0 mm Ø 3 mm

up to 15 mm

Blades

Art.-No. 526018 1003

**T13/T40/T50 - 2.5 | 3.0 mm**  
radius milling tool (diamond coated)

T13	Zr
T40	SINT
T50	COMP

2.5 mm Ø 3 mm

up to 25 mm

Blades

Art.-No. 526013 2503

**T5/T10/T17 - 1.5 | 3.0 mm**  
shaft milling tool (l = 15 mm), universal

T5	Ti
T10	CoCr
T17	PMMA
T17	WAX
T17	Zr

1.5 mm Ø 3 mm

up to 25 mm

Blades

Art.-No. 526001 1503

**T14/T41/T51 - 1.0 | 3.0 mm**  
radius milling tool (diamond coated)

T14	Zr
T41	SINT
T51	COMP

1.0 mm Ø 3 mm

up to 25 mm

Blades

Art.-No. 526013 1003

**T11 - 2.5 | 3.0 mm**  
radius milling tool (single blade, slide coated)

T11	PMMA
T11	WAX
T11	PEEK

2.5 mm Ø 3 mm

up to 25 mm

Blade

Art.-No. 526004 2503c

**T15/T42/T52 - 0.6 | 3.0 mm**  
radius milling tool (conical)

T15	PMMA
T42	WAX
T52	Zr
T52	SINT
T52	COMP

0.6 mm Ø 3 mm

up to 25 mm

Blades

Art.-No. 526016 0603

**T19 - 0.5 | 3.0 mm**  
shaft milling tool (l = 4 mm), universal

T19	UNIVERSAL
-----	-----------

0.5 mm Ø 3 mm

up to 15 mm

Blades

Art.-No. 526001 0503

**T31 - 3.0 | 3.0 mm**  
shaft milling tool (single blade, slide coated)

T31	PMMA
T31	WAX
T31	Zr

3.0 mm Ø 3 mm

up to 30 mm

Blade

Art.-No. 526012 3003

**T20 - 0.6 | 3.0 mm**  
radius milling tool (conical)

T20	Ti
T20	CoCr

0.6 mm Ø 3 mm

up to 15 mm

Blades

Art.-No. 526003 0603

**T32 - 0.6 | 3.0 mm**  
radius milling tool long (l = 12 mm)

T32	PMMA
T32	WAX
T32	Zr

0.6 mm Ø 3 mm

up to 25 mm

Blades

Art.-No. 526012 0603

**T21 - 2.5 | 3.0 mm**  
radius grinding tool (diamond)

T21	glass ceramics
-----	----------------

2.5 mm Ø 3 mm

Blades

Art.-No. 526005 2503

**T33/T43/T53 - 0.3 | 3.0 mm**  
radius milling tool (conical)

T33	PMMA
T43	WAX
T53	Zr
T53	SINT
T53	COMP

0.3 mm Ø 3 mm

up to 25 mm

Blades

Art.-No. 526016 0303

**T22 - 1.0 | 3.0 mm**  
radius grinding tool (diamond)

T22	glass ceramics
-----	----------------

1.0 mm Ø 3 mm

Blades

Art.-No. 526005 1003

**T98 - 2.5 | 3.0 mm**  
shaft milling tool (l = 20 mm, three blades)

T98	CALIBR.
-----	---------

2.5 mm Ø 3 mm

Blades

Art.-No. 526024 2503

**T23 - 0.6 | 3.0 mm**  
radius grinding tool (conical, diamond)

T23	glass ceramics
-----	----------------

0.6 mm Ø 3 mm

Blades

Art.-No. 526005 0603



# CORiTEC Materials

## CORiTEC ZR (ZIRCONIUM DIOXIDE)

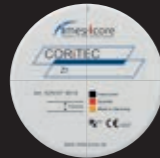
Covers all indications for dental restorations of up to 16 units.  
Ideally suited for monolithic restorations.

- highly translucent zirconium dioxide for natural esthetics
- increased strength compared to lithium dioxide

Zr ht+ Disc  
(highly translucent)



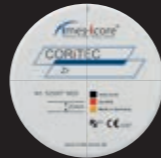
Zr Disc



Zr transpa Disc



Zr transpa Disc  
(pre-colored translucent)



## CORiTEC MODEL DISC IVORY

- Blank for the production of dental models
- low-cost material
- also suitable for test purposes or for milling calibration bodies



## JUVORA PEEK (POLYETHERETHERKETONE)

- clamp-retained constructions
- Juvora PEEK in its basic colour (brown-beige)
- highest biological compatibility



## CORiTEC WAX DISC (WAX, GRAY)

CORiTEC Wax Disc is not suitable for intraoral application.  
After milling, the material can be used as lost wax.  
Moulds can be used in casting technology.  
It can be milled easily and combusted residue-free.



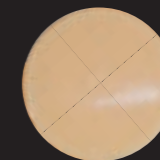
## CORiTEC PMMA (POLYMETHYL METHACRYLATE)

- bite guards, therapeutic splints, drilling templates, bite regulators
- very good mechanical properties
- aesthetic shade effect due to high translucency
- good milling behaviour

PMMA Splint Disc



PMMA Disc



# CORiTEC smart control™

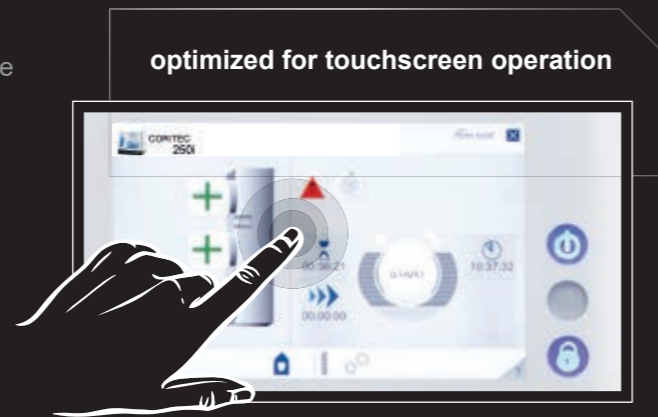
SMART CONTROL OF MACHINE SOFTWARE

## smart control™ one touch ahead!

The newly developed control software „smart control™“ enables absolutely intuitive operation of our milling machines. From selecting the job to milling or querying the machine status; the self-explanatory and optimized handling makes it possible to start operating the machine in the shortest possible time. Starting a milling process requires only two clicks – benefit from the smart time savings for your workflow!

## FEATURES

- modern touch control design
- straightforward operation with intuitive graphical interface
- high end performance for imes-icore® machines
- remote monitoring via smartphone
- job management with 3D preview
- real-time 3D simulation for monitoring



automated transfer of information from the CAM software



ideal tool management



# Scanner COMPATIBLE WITH exocad

## CORiTEC i3Dscan eco

- all-round carefree package for newcomers or small laboratories
- simple, fast, low-priced
- very compact design



## CORiTEC i3Dscan color

- the object to be scanned is automatically guided into the measuring field
- modern touch control design
- the 180-degree opening offers a large working area



## CORiTEC i3Dscan color HR

- enormously high scanning efficiency and precision (4 µm)
- Color Texture scan
- Blue-Light LED & High resolution camera (2.8 MP)
- all modules included in the scope of delivery

# CAM software

## CORiTEC iCAM V4.7

- all strategies optimized for 5-axis simultaneous machining
- 64-bit multi-core support
- no annual license fees
- validated post-processors for all imes-icore® CORTEC machines



## CORiTEC iCAM V5

- all strategies optimized for 5-axis simultaneous machining
- automatic exchange of implant connections (ReFit option)
- no annual license fees
- fully automatic and easy operation with “Wizard Workflow“



# Machine tables

The undercounters, specially developed for the needs of the various machine types, impress with their sturdy design as well as their attractive appearance. The machine tables have sufficient floor space. Stable rollers ensure optimum stability and easy movement of the devices. Drawers, cable ducts and a cabinet for the integration of appropriate extraction systems are already provided.



Machine Table T1	Machine Table T2
30.3 x 36.6 x 31.1 inch 770 x 930 x 790 mm W x H x D	41.7 x 36.6 x 31.1 inch 1060 x 930 x 790 mm W x H x D
COR TEC 250i/250i dry	COR TEC 250i Loader <b>PRO</b>

# Suction systems

	iVAC silent	iVAC silent <b>PRO</b>	iVAC eco+	iVAC <b>PRO</b> *	iCompVAC*
Volume flow	160m³/hr	240 m³/hr	260m³/hr	280m³/hr	120m³/hr
Output	480 W	1610 W	1200 W	1200 W	1300 W
Filter system	Teflon filter cartridge, automatic cleaning feature	Teflon filter cartridge, automatic cleaning feature	dust drawer, HEPA filter	Teflon filter cartridge, automatic cleaning feature	dust drawer, HEPA filter
Filter volume	8 liters	8 liters	25 liters	15 liters	25 liters
W x D x H	9.6 x 19.6 x 17.3 inch 245 x 500 x 440 mm	10.6 x 21.2 x 21.1 inch 270 x 540 x 535 mm	17.3 x 18.1 x 29.5 inch 440 x 460 x 750 mm	13.7 x 13.7 x 39.3 inch 350 x 350 x 1000 mm	18.5 x 25.1 x 34.6 inch 470 x 640 x 880 mm
Supply voltage	230 V	115 V/230 V	115 V/230 V	100 V/230 V	230 V

\*not designed for continuous operation



# Sintering Furnaces

## iSINT eco

The **iSINT eco** stands for economy and offers high-quality technology, matching accessories for high standards at a fair price. Compact and with a small footprint, the **iSINT eco** sintering oven still has sufficient capacity for a sintering bowl Ø 100 mm for approx. 25 units. The door stop can be mounted at the right or left side.



## iSINT **PRO**

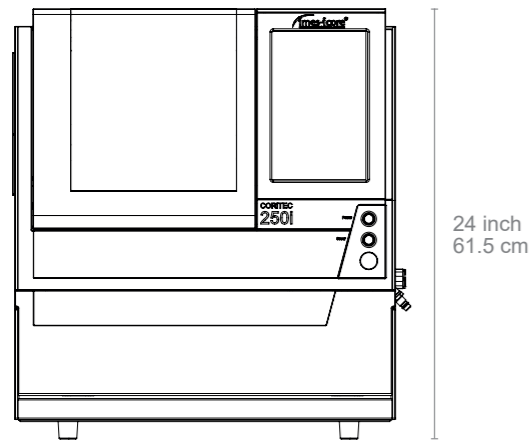
A larger sintering capacity of up to 80 single crowns is offered by the new **iSINT PRO**. With a heating system of four high-quality molybdenum disilicide (MoSi2) heating elements, you can choose between conventional long-term sintering or SPEED sintering at a rate of up to 99 °C/minute. The **iSINT PRO** is operated with a simple and convenient program control. The programs are indicated on a 4-line LCD display. A timer function for overnight sintering or the use of pre-drying programs for shaded zirconium restorations offer further options. In addition, three service programs are available for easy maintenance of the sinter furnace.



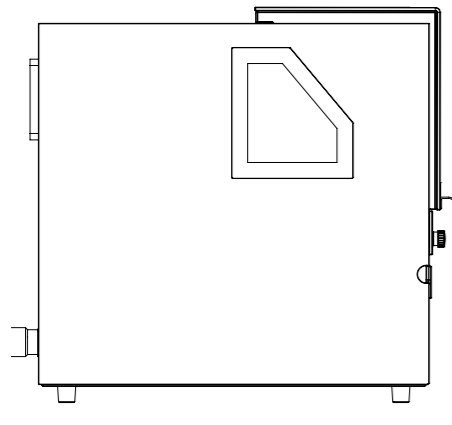
	iSINT eco	iSINT <b>PRO</b>
Number of heating elements	4	4
Display	7-Segment	4-line LCD
Number of program memories	9	30
Combustion chamber capacity	1 x 100	2 x 120
max. heating rate in °C/min	30	99
Power in Watt	1720	3200
Lift function	No	Yes
Speedsintering	No	Yes

# Dimensions

CORiTEC 250i / 250i dry

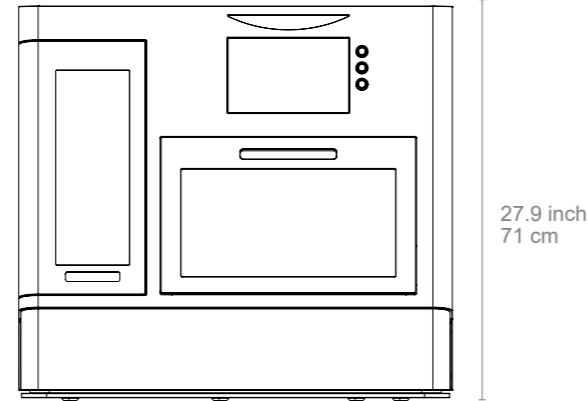


21.4 inch  
54.4 cm

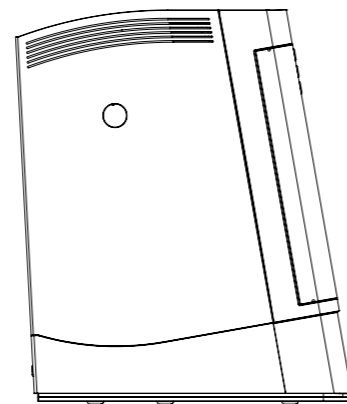


25.6 inch  
65 cm

CORiTEC 250i Loader PRO



30.7 inch  
78 cm



23.8 inch  
60.4 cm

# In Numbers

CORiTEC 250i

CORiTEC 250i dry

CORiTEC 250i Loader PRO

mechanics/electronics			
basic construction	granite/aluminium	granite/aluminium	mono cast body
number of axes and operation type	5-axis, simultaneous machining	5-axis, simultaneous machining	5-axis, simultaneous machining
rotation angle	A-axis 360° / B-axis ± 100°	A-axis 360° / B-axis ± 100°	A-axis 360° / B-axis ± 100°
spindle / power	high-frequency spindle / 0.4 kW	high-frequency spindle / 0.4 kW	high-frequency spindle / 0.75 kW
maximum spindle speed	60.000 rpm	60.000 rpm	100.000 rpm
blank changer	Not available	Not available	6-times
tools	milling and grinding tools with 3 mm shaft diameter	milling and grinding tools with 3 mm shaft diameter	milling and grinding tools with 3 mm shaft diameter
tool changer integrated	12-times	12-times	10-times
tool length control	≤ 0.002 mm precision	≤ 0.002 mm precision	≤ 0.002 mm precision
integrated computer hardware	Windows based	Windows based	Windows based
monitor	integrated 10" touch screen	integrated 10" touch screen	integrated 12" touch screen
illumination	3 LED status colors	3 LED status colors	3 LED status colors
software	Remote DENTAL 3.0	Remote DENTAL 3.0	Remote DENTAL 3.0
air pressure	3 bar constantly supply, 50 liters/minute	3 bar constantly supply, 50 liters/minute	3 bar constantly supply, 50 liters/minute, optional integrated compressor
cooling liquid	1.8 liter integrated	-	4.8 liter integrated
connecting requirements			
weight	95 kg	95 kg	95 kg
width x depth x height	21.4 x 25.5 x 24 inch 544 x 650 x 612 mm	21.4 x 25.5 x 24 inch 544 x 650 x 612 mm	30.7 x 23.7 x 27.9 inch 780 x 610 x 710 mm
line voltage / frequency	100 V - 240 V / 50/60 Hz	100 V - 240 V / 50/60 Hz	100 V - 240 V / 50/60 Hz

# Sales and support partner worldwide



Represented for you in over 100 countries.

imes-icore® GmbH has been a leading manufacturer and technology partner since 2003 in the field of dental CAD/CAM systems and solutions.

With your unique range of dental milling and grinding systems imes-icore® offers a perfect selection for all individual requirements of dental laboratories, milling centres and dental practices of all sizes.

Our “Open-System” product philosophy makes it possible to easily integrate our milling machines into your existing workflow and to integrate them with your open scanners and your CAD/CAM software. We are open for your material selection.

**Official importeur | distributeur**

**uberVo dental b.v.**

+31 (0)229 213 736

info@ubervo.nl

www.ubervo.nl